

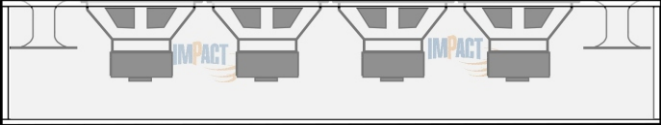
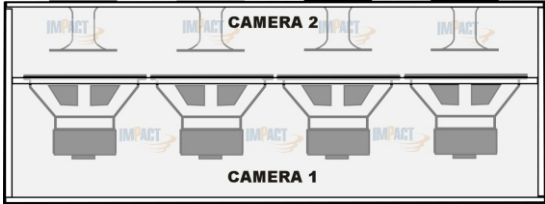


2708 SVC - 1 Ohm

CONNECTIONS	SUGGESTED AMPLIFIERS
	<p data-bbox="723 213 1003 240">HC 75.4D(Sub Output)</p>

Closed Enclosure	
Number of woofers	4 x 2708 SVC
Connection	Parallel
Nominal Impedance	1 Ohm
Enclosure volume	43 L
Phono-absorbtion	2 Layers - 2 cm thickness
Wood thickness	Medium density 2 cm thickness
Construction	As showed above

Vented Enclosure	
Number of woofers	4 x 2708 SVC
Connection	Parallel
Nominal Impedance	1 Ohm
Enclosure volume	70 L
Phono-absorbtion	1 Layer - 2 cm thickness
Wood thickness	Medium density 2 cm thickness
Construction	As showed above
Vents	2 pcs - Dual trumpet - Lenght 184 mm - Diam. 69 mm

Bandpass Enclosure	
Number of woofers	4 x 2708 SVC
Connection	Parallel
Nominal Impedance	1 Ohm
Enclosure volume	Chamber 1: 44 L - Chamber 2: 36 L
Phono-absorbtion	1 Layer - 2 cm thickness each chamber
Wood thickness	Medium density 2 cm thickness
Construction	As showed above
Vents	4 pcs - Dual trumpet - Lenght 175 mm - Diam. 63 mm