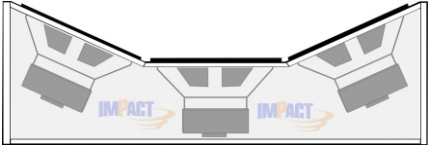



2712 SVC - 1,33 Ohm

CONNECTIONS	SUGGESTED AMPLIFIERS

Closed Enclosure	
Number of woofers	3 x 2712 SVC
Connection	Parallel
Nominal Impedance	1,33 Ohm
Enclosure volume	75 L
Phono-absorbtion	2 Layers - 2 cm thickness
Wood thickness	Medium density 2 cm thickness
Construction	As showed above

Vented Enclosure	
Number of woofers	3 x 2712 SVC
Connection	Parallel
Nominal Impedance	1,33 Ohm
Enclosure volume	90 L
Phono-absorbtion	1 Layer - 2 cm thickness
Wood thickness	Medium density 2 cm thickness
Construction	As showed above
Vents	2 pcs - Dual trumpet - Lenght 119 mm - Diam. 69 mm