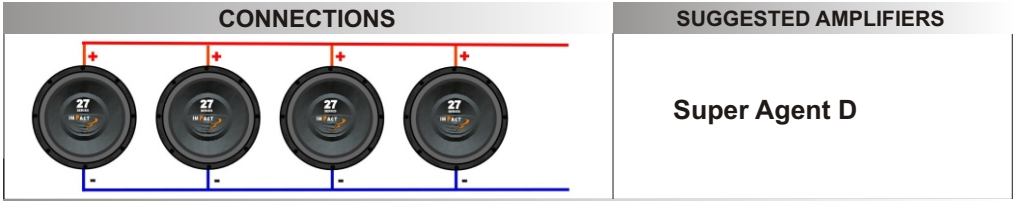

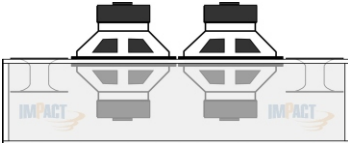
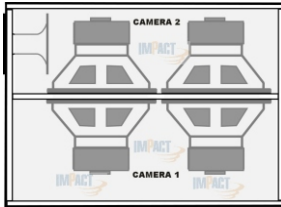


2712 SVC - 1 Ohm



Push-Pull Closed Enclosure	
Number of woofers	4 x 2712 SVC
Connection	Parallel
Nominal Impedance	1 Ohm
Enclosure volume	42 L
Phono-absorbition	2 Layers - 2 cm thickness
Wood thickness	Medium density 2 cm thickness
Construction	As showed above

Push-Pull Vented Enclosure	
Number of woofers	4 x 2712 SVC
Connection	Parallel
Nominal Impedance	1 Ohm
Enclosure volume	50 L
Phono-absorbition	1 Layer - 2 cm thickness
Wood thickness	Medium density 2 cm thickness
Construction	As showed above
Vents	2 pcs - Dual trumpet - Lenght 175 mm - Diam. 63 mm

Push-Pull Bandpass Enclosure	
Number of woofers	4 x 2712 SVC
Connection	Parallel
Nominal Impedance	1 Ohm
Enclosure volume	Chamber 1: 32 L - Chamber 2: 36 L
Phono-absorbition	1 Layer - 2 cm thickness each chamber
Wood thickness	Medium density 2 cm thickness
Construction	As showed above
Vents	2 pcs - Dual trumpet - Lenght 120 mm - Diam. 60 mm