

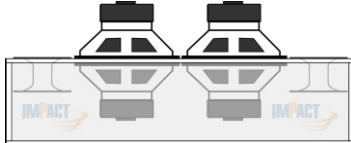
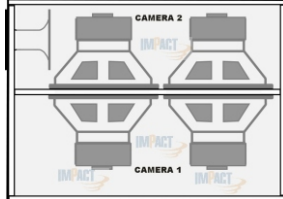


2712 SVC - 4 Ohm

CONNECTIONS	SUGGESTED AMPLIFIERS
	<p style="text-align: center;">Stealth 2 HC 250.2</p>

Push-Pull Closed Enclosure	
Number of woofers	4 x 2712 SVC
Connection	Series - Parallel
Nominal Impedance	4 Ohm
Enclosure volume	42 L
Phono-absorbition	2 Layers - 2 cm thickness
Wood thickness	Medium density 2 cm thickness
Construction	As showed above

Push-Pull Vented Enclosure	
Number of woofers	4 x 2712 SVC
Connection	Series - Parallel
Nominal Impedance	4 Ohm
Enclosure volume	53 L
Phono-absorbition	1 Layer - 2 cm thickness
Wood thickness	Medium density 2 cm thickness
Construction	As showed above
Vents	2 pcs - Dual trumpet - Lenght 184 mm - Diam. 69 mm

Push-Pull Bandpass Enclosure	
Number of woofers	4 x 2712 SVC
Connection	Series - Parallel
Nominal Impedance	4 Ohm
Enclosure volume	Chamber 1: 35 L - Chamber 2: 38,5 L
Phono-absorbition	1 Layer - 2 cm thickness each chamber
Wood thickness	Medium density 2 cm thickness
Construction	As showed above
Vents	2 pcs - Dual trumpet - Lenght 121 mm - Diam. 69 mm