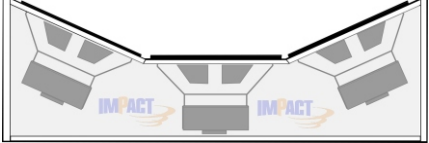



# 2715 SVC - 1,33 Ohm

CONNECTIONS	SUGGESTED AMPLIFIERS

<h2>Closed Enclosure</h2>	
Number of woofers	3 x 2715 SVC
Connection	Parallel
Nominal Impedance	1,33 Ohm
Enclosure volume	133 L
Phono-absorbtion	2 Layers - 2 cm thickness
Wood thickness	Medium density 2 cm thickness
Construction	As showed above

<h2>Vented Enclosure</h2>	
Number of woofers	3 x 2715 SVC
Connection	Parallel
Nominal Impedance	1,33 Ohm
Enclosure volume	156 L
Phono-absorbtion	1 Layer - 2 cm thickness
Wood thickness	Medium density 2 cm thickness
Construction	As showed above
Vents	4 pcs - Dual trumpet - Lenght 184 mm - Diam. 69 mm