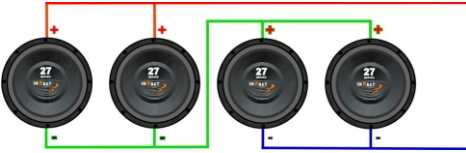

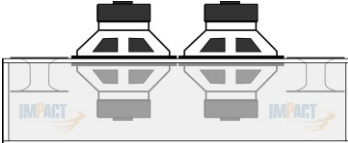
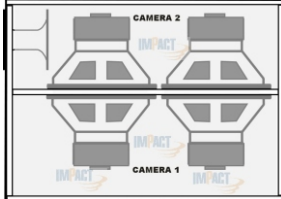


2715 SVC - 1 Ohm

CONNECTIONS	SUGGESTED AMPLIFIERS
	<p style="text-align: center;">Super Agent D</p>

Push-Pull Closed Enclosure	
Number of woofers	4 x 2715 SVC
Connection	Parallel
Nominal Impedance	1 Ohm
Enclosure volume	70 L
Phono-absorbition	2 Layers - 2 cm thickness
Wood thickness	Medium density 2 cm thickness
Construction	As showed above

Push-Pull Vented Enclosure	
Number of woofers	4 x 2712 SVC
Connection	Parallel
Nominal Impedance	1 Ohm
Enclosure volume	100 L
Phono-absorbition	1 Layer - 2 cm thickness
Wood thickness	Medium density 2 cm thickness
Construction	As showed above
Vents	3 pcs - Dual trumpet - Lenght 180 mm - Diam. 69 mm

Push-Pull Bandpass Enclosure	
Number of woofers	4 x 2715 SVC
Connection	Parallel
Nominal Impedance	1 Ohm
Enclosure volume	Chamber 1: 54,5 L - Chamber 2: 60 L
Phono-absorbition	1 Layer - 2 cm thickness each chamber
Wood thickness	Medium density 2 cm thickness
Construction	As showed above
Vents	4 pcs - Dual trumpet - Lenght 168 mm - Diam. 69 mm