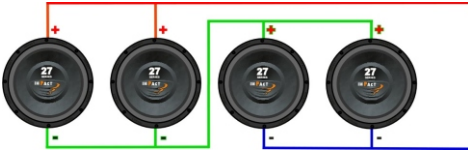

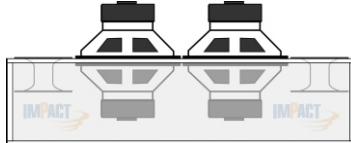
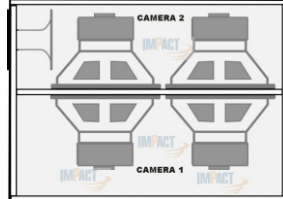


2715 SVC - 4 Ohm

CONNECTIONS	SUGGESTED AMPLIFIERS
	<p style="text-align: center;">HC 550.2</p>

<h2>Push-Pull Closed Enclosure</h2>	
Number of woofers	4 x 2715 SVC
Connection	Series - Parallel
Nominal Impedance	4 Ohm
Enclosure volume	78 L
Phono-absorbition	2 Layers - 2 cm thickness
Wood thickness	Medium density 2 cm thickness
Construction	As showed above

<h2>Push-Pull Vented Enclosure</h2>	
Number of woofers	4 x 2715 SVC
Connection	Series - Parallel
Nominal Impedance	4 Ohm
Enclosure volume	81 L
Phono-absorbition	1 Layer - 2 cm thickness
Wood thickness	Medium density 2 cm thickness
Construction	As showed above
Vents	2 pcs - Dual trumpet - Lenght 182 mm - Diam. 69 mm

<h2>Push-Pull Bandpass Enclosure</h2>	
Number of woofers	4 x 2715 SVC
Connection	Series - Parallel
Nominal Impedance	4 Ohm
Enclosure volume	Chamber 1: 58,5 L - Chamber 2: 60 L
Phono-absorbition	1 Layer - 2 cm thickness each chamber
Wood thickness	Medium density 2 cm thickness
Construction	As showed above
Vents	4 pcs - Dual trumpet - Lenght 160 mm - Diam. 69 mm