

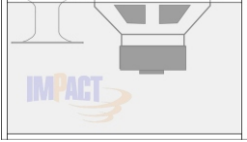
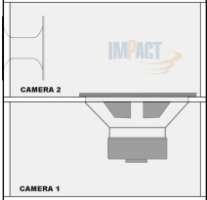


3710 DVC - 2 Ohm

CONNECTIONS	SUGGESTED AMPLIFIERS
	Stealth 1 Stealth 3

Closed Enclosure	
Number of woofers	1 x 3710 DVC
Connection	Parallel
Nominal Impedance	2 Ohm
Enclosure volume	17 L
Phono-absorbption	2 Layers - 2 cm thickness
Wood thickness	Medium density 2 cm thickness
Construction	As showed above

Vented Enclosure	
Number of woofers	1 x 3710 DVC
Connection	Parallel
Nominal Impedance	2 Ohm
Enclosure volume	24 L
Phono-absorbption	1 Layer - 2 cm thickness
Wood thickness	Medium density 2 cm thickness
Construction	As showed above
Vents	1 pcs - Dual trumpet - Lenght 175 mm - Diam. 63 mm

Bandpass Enclosure	
Number of woofers	1 x 3710 DVC
Connection	Parallel
Nominal Impedance	2 Ohm
Enclosure volume	Chamber 1: 19 L - Chamber 2: 9 L
Phono-absorbption	1 Layer - 2 cm thickness each chamber
Wood thickness	Medium density 2 cm thickness
Construction	As showed above
Vents	1 pcs - Dual trumpet - Lenght 162 mm - Diam. 69 mm