
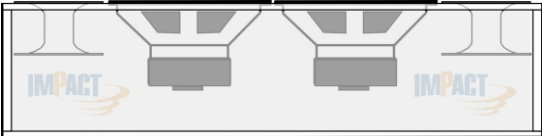
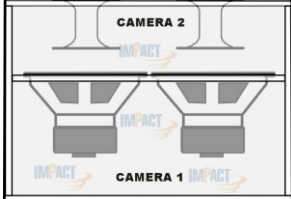


# 3710 DVC - 4 Ohm

CONNECTIONS	SUGGESTED AMPLIFIERS
	<b>Stealth 2 HC 150.2</b>

Closed Enclosure	
Number of woofers	2 x 3710 DVC
Connection	Series
Nominal Impedance	4 Ohm
Enclosure volume	33 L
Phono-absorbition	2 Layers - 2 cm thickness
Wood thickness	Medium density 2 cm thickness
Construction	As showed above

Vented Enclosure	
Number of woofers	2 x 3710 DVC
Connection	Series
Nominal Impedance	4 Ohm
Enclosure volume	41,5 L
Phono-absorbition	1 Layer - 2 cm thickness
Wood thickness	Medium density 2 cm thickness
Construction	As showed above
Vents	1 pcs - Dual trumpet - Lenght 172 mm - Diam. 69 mm

Bandpass Enclosure	
Number of woofers	2 x 3710 DVC
Connection	Series
Nominal Impedance	4 Ohm
Enclosure volume	Chamber 1: 31 L - Chamber 2: 15 L
Phono-absorbition	1 Layer - 2 cm thickness each chamber
Wood thickness	Medium density 2 cm thickness
Construction	As showed above
Vents	2 pcs - Dual trumpet - Lenght 184 mm - Diam. 69 mm