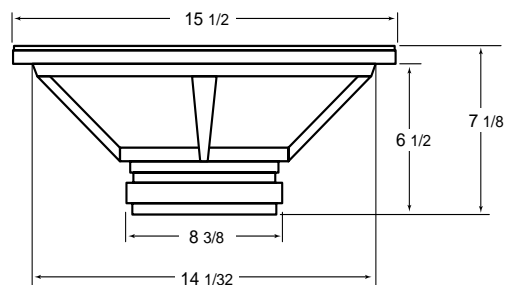


STROKER SERIES SUBWOOFERS

Stroker 15S

Stroker 15S Specifications

Diameter:	15"
No. of Voice Coils:	1
Sensitivity (1W @ 1m):	95 dB
Power Handling: (cont. unclipped power per EIA RS-426A)	1200 W _{rms}
Frequency Response:	36 ~ 200 Hz
Nominal Impedance:	4 Ω
Voice Coil Diameter:	3"
Mounting Diameter:	14 1/32" (35.56 cm)
Mounting Depth:	6 1/2" (16.51 cm)

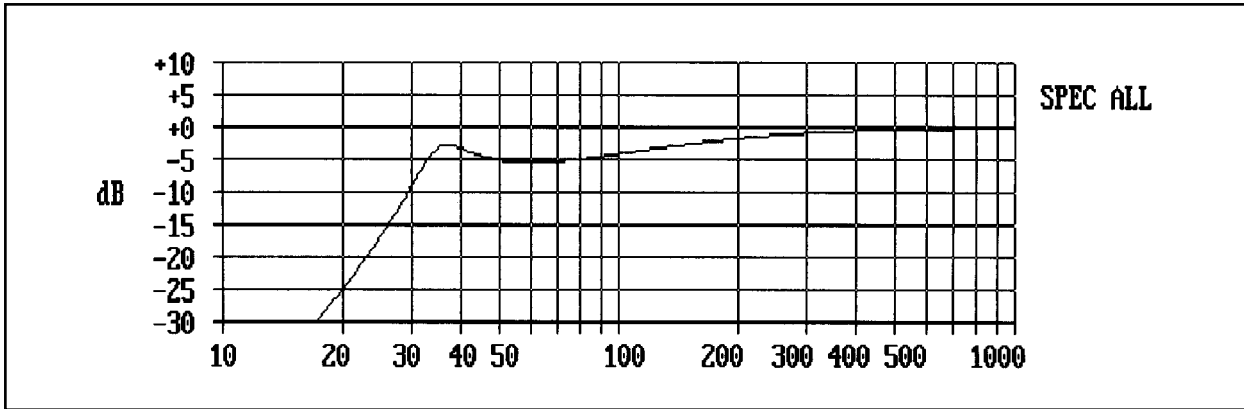


Stroker 15S Thiele-Small Parameters

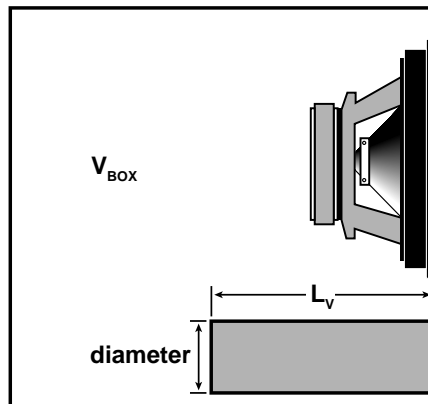
Free-Air Resonance:	f_s	36 Hz
Total Q:	Q_{ts}	0.217
Mechanical Q:	Q_{ms}	9.120
Electrical Q:	Q_{es}	0.223
Compliance Volume:	V_{as}	3.11 ft ³
Maximum Excursion: (peak to peak)	X_{max}	0.90" (±0.45") 23 mm (±11.5 mm)
Voice Coil DC Resistance:	R_{evc}	3.4 Ω
Effective Cone Area:	S_d	130.82 in ²
Driver Displacement:		.27 ft ³

Stroker 15S Bass Reflex

Optimum Enclosure: 35 Hz. Tuning - Deep Bass

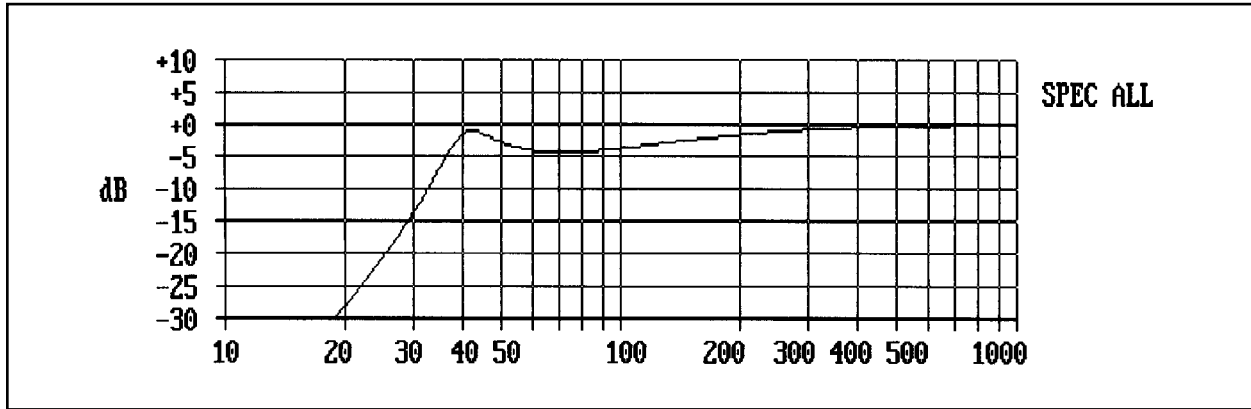


Enclosure Volume:	$V_{BOX} = 4.25 \text{ ft}^3 \text{ (net)} + .27 \text{ ft}^3 \text{ (driver displacement)} + \text{port displacement}$		
Number of Ports:	1	2	1
Port Diameter:	6.0 in	6.0 in/ea.	3.0 in x 16.0 in (rectangular)
Total Port Area:	28.27 in ²	56.55 in ²	48.00 in ²
Port Length:	10.20 in	23.13 in/ea.	19.18 in
Port Displacement (total):	.17 ft ³	.76 ft ³	.53 ft ³
Total Box Volume:	4.69 ft ³	5.28 ft ³	5.05 ft ³

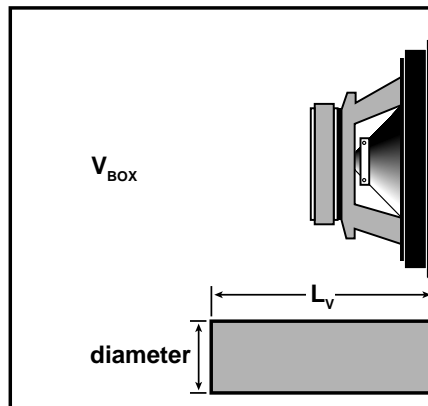


Stroker 15S Bass Reflex

Optimum Enclosure: 40 Hz Tuning - Max SPL



Enclosure Volume:	$V_{\text{BOX}} = 4.25 \text{ ft}^3 \text{ (net)} + 0.27 \text{ ft}^3 \text{ (driver displacement)} + \text{port displacement}$		
Number of Ports:	1	2	1
Port Diameter:	6.0 in	6.0 in/ea.	3.0 in x 16.0 in (rectangular)
Total Port Area:	28.27 in ²	56.55 in ²	48.00 in ²
Port Length:	6.84 in	16.26 in/ea.	13.35 in
Port Displacement (total):	.11 ft ³	.53 ft ³	.37 ft ³
Total Box Volume:	4.63 ft ³	5.05 ft ³	4.89 ft ³

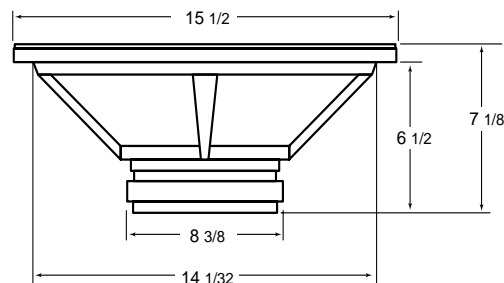


STROKER SERIES SUBWOOFERS

Stroker 15D

Stroker 15D Specifications

Diameter:	15"
No. of Voice Coils:	2
Sensitivity (1W @ 1m):	95 dB
Power Handling: (cont. unclipped power per EIA RS-426A)	600 Wrms /ea. coil
Frequency Response:	36 ~ 200 Hz
Nominal Impedance:	4 Ω /ea. coil
Voice Coil Diameter:	3"
Mounting Diameter:	14 $\frac{1}{32}$ " (35.56 cm)
Mounting Depth:	6 $\frac{1}{2}$ " (16.51 cm)

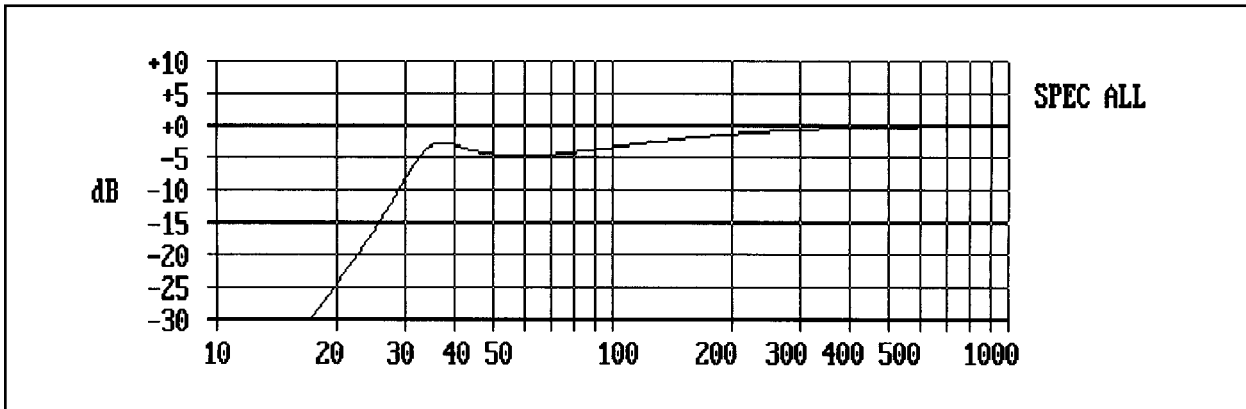


Stroker 15D Thiele-Small Parameters

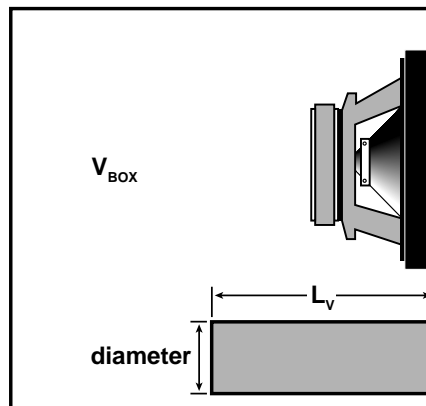
Free-Air Resonance:	f_s	43 Hz
Total Q:	Q_{ts}	0.282
Mechanical Q:	Q_{ms}	7.616
Electrical Q:	Q_{es}	0.293
Compliance Volume:	V_{as}	2.26 ft ³
Maximum Excursion: (peak to peak)	X_{max}	0.90" (± 0.45 ") 23 mm (± 11.5 mm)
Voice Coil DC Resistance:	R_{evc}	3.2 Ω
Effective Cone Area:	S_d	130.82 in ²
Driver Displacement:		.27 ft ³

Stroker 15D Bass Reflex

Optimum Enclosure: 35 Hz. Tuning - Deep Bass

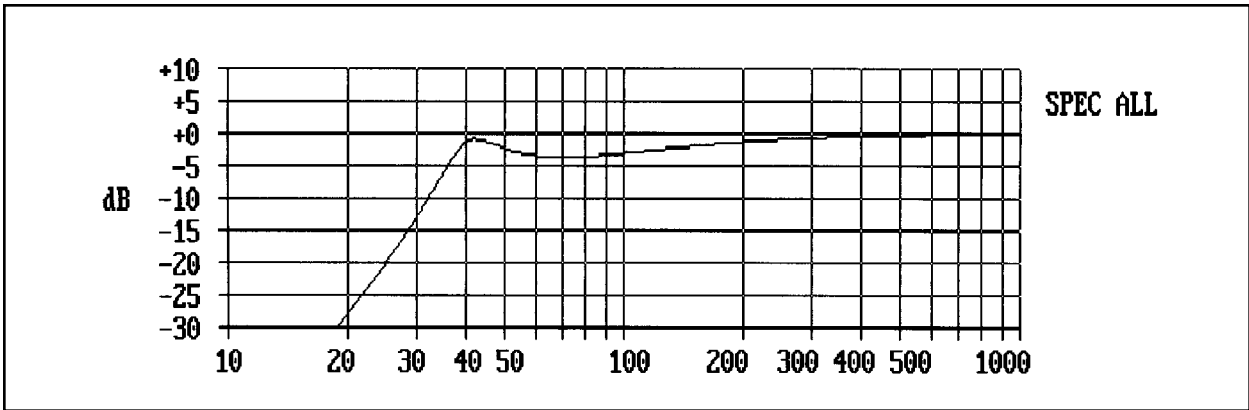


Enclosure Volume:	$V_{\text{BOX}} = 4.25 \text{ ft}^3 \text{ (net)} + .27 \text{ ft}^3 \text{ (driver displacement)} + \text{port displacement}$		
Number of Ports:	1	2	1
Port Diameter:	6.0 in	6.0 in/ea.	3.0 in x 16.0 in (rectangular)
Total Port Area:	28.27 in ²	56.55 in ²	48.00 in ²
Port Length:	10.20 in	23.13 in/ea.	19.18 in
Port Displacement (total):	.17 ft ³	.76 ft ³	.53 ft ³
Total Box Volume:	4.69 ft ³	5.28 ft ³	5.05 ft ³



Stroker 15D Bass Reflex

Optimum Enclosure: 40 Hz Tuning - Max SPL



Enclosure Volume:	$V_{\text{BOX}} = 4.25 \text{ ft}^3 \text{ (net)} + 0.27 \text{ ft}^3 \text{ (driver displacement)} + \text{port displacement}$		
Number of Ports:	1	2	1
Port Diameter:	6.0 in	6.0 in/ea.	3.0 in x 16.0 in (rectangular)
Total Port Area:	28.27 in ²	56.55 in ²	48.00 in ²
Port Length:	6.84 in	16.26 in/ea.	13.35 in
Port Displacement (total):	.11 ft ³	.53 ft ³	.37 ft ³
Total Box Volume:	4.63 ft ³	5.05 ft ³	4.89 ft ³

