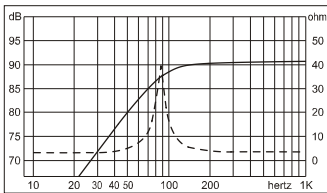
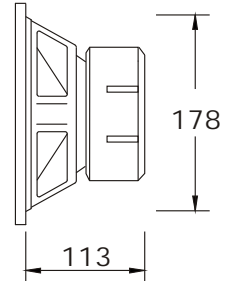
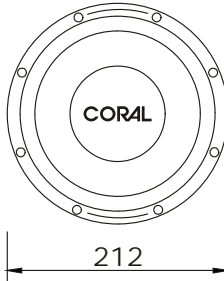
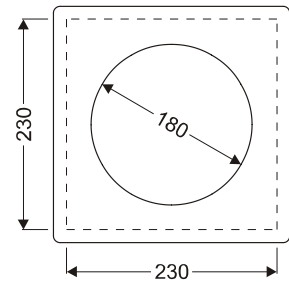
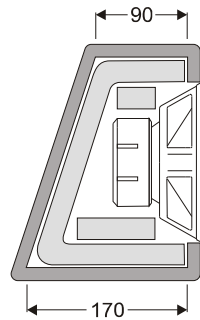
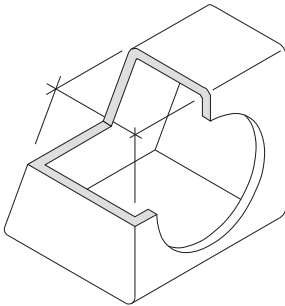


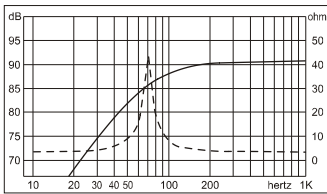
EVO 220 - suggested boxes (page 1 of 2)



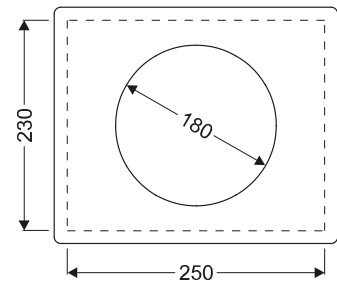
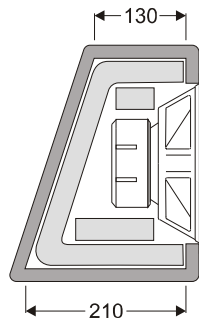
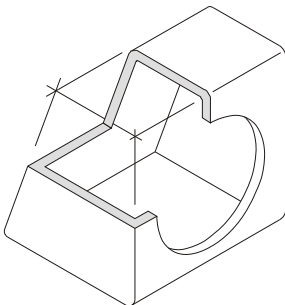
CLOSED BOX (small)
 range: 70 ÷ 120 Hz
 sensitivity: 87 dB @ 80 Hz
 volume: 7 litres



 *materiale fonoassorbente / sound-absorbing material*

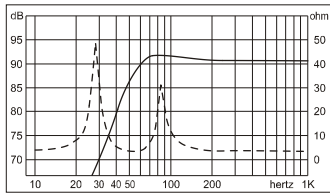


CLOSED BOX (large)
 range: 60 ÷ 120 Hz
 sensitivity: 87 dB @ 70 Hz
 volume: 10 litres



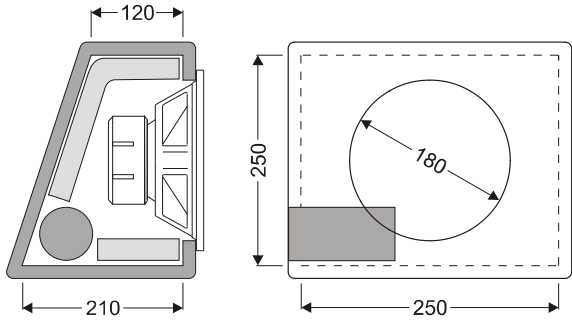
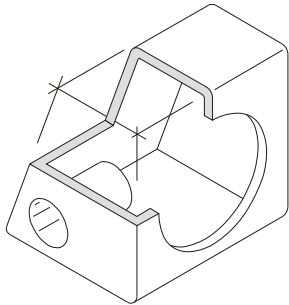
 *materiale fonoassorbente / sound-absorbing material*


EVO 220 - suggested boxes (page 2 of 2)

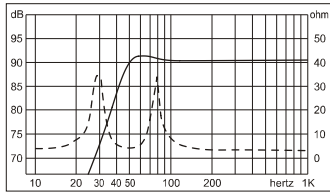


REFLEX BOX (small)

range: 52 ÷ 120 Hz
 sensitivity: 91 dB @ 68 Hz
 tube: Ø 74 x 200 mm
 volume: 10 litres

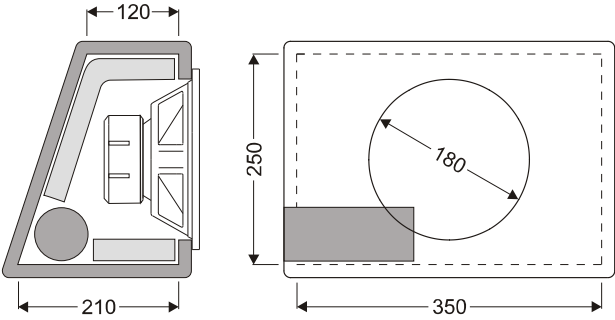
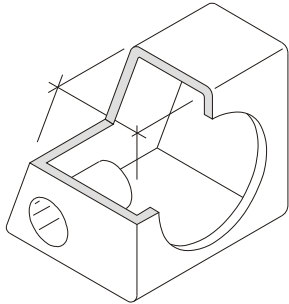



 materiale fonoassorbente / sound-absorbing material

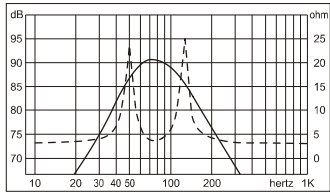


REFLEX BOX (large)

range: 45 ÷ 120 Hz
 sensitivity: 91 dB @ 53 Hz
 tube: Ø 74 x 210 mm
 volume: 14 litres

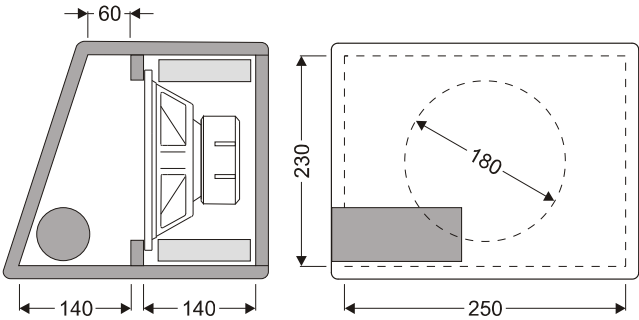
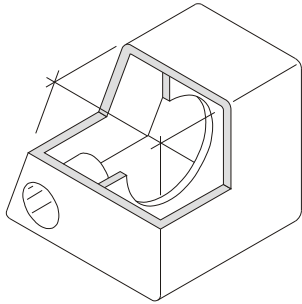



 materiale fonoassorbente / sound-absorbing material



BAND-PASS BOX

range: 52 ÷ 110 Hz
 sensitivity: 90 dB @ 58 Hz
 tube: Ø 74 x 200 mm
 Vc/Vb volume: 8/6 litres



 materiale fonoassorbente / sound-absorbing material