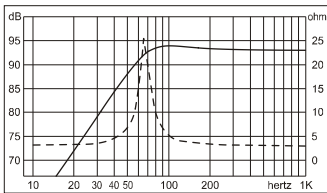
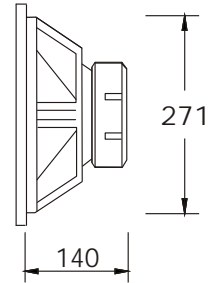
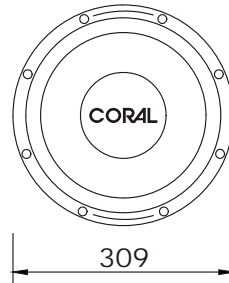
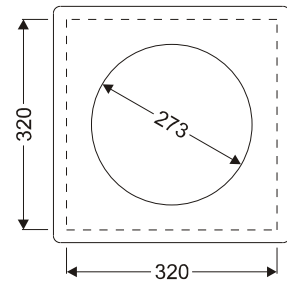
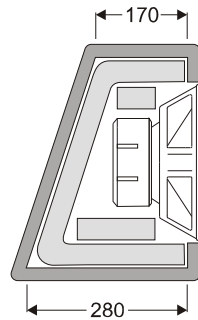
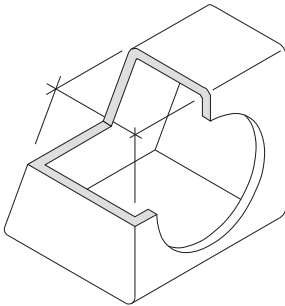


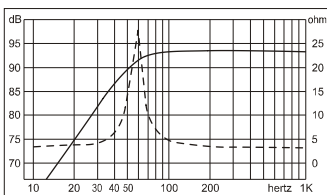
## EVO 320 - suggested boxes (page 1 of 2)



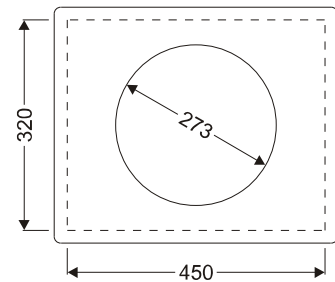
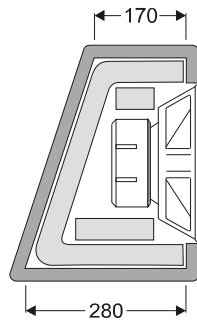
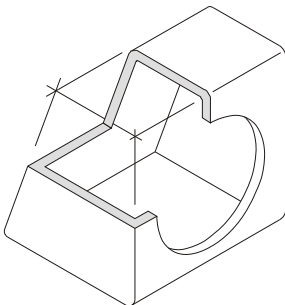
**CLOSED BOX (small)**  
 range: 50 ÷ 120 Hz  
 sensitivity: 90 dB @ 50 Hz  
 volume: 22 litres



■ materiale fonoassorbente / *sound-absorbing material*

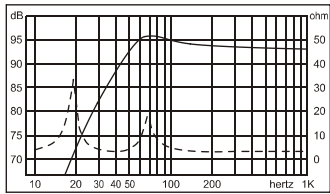


**CLOSED BOX (large)**  
 range: 45 ÷ 120 Hz  
 sensitivity: 90 dB @ 50 Hz  
 volume: 32 litres

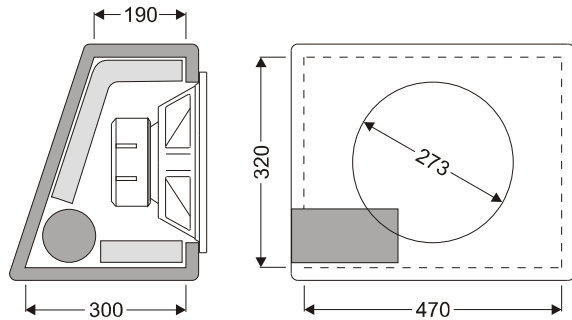
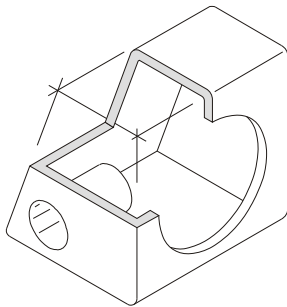


■ materiale fonoassorbente / *sound-absorbing material*

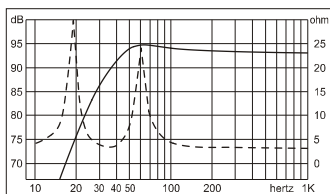
## EVO 320 - suggested boxes (page 2 of 2)



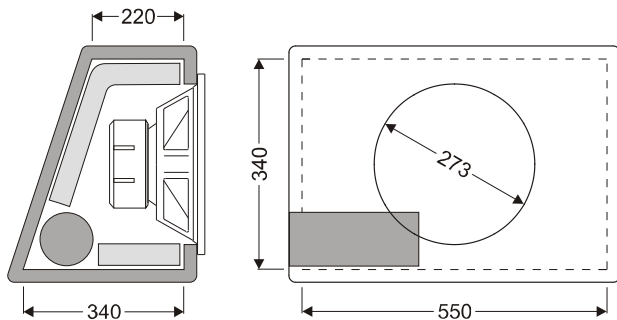
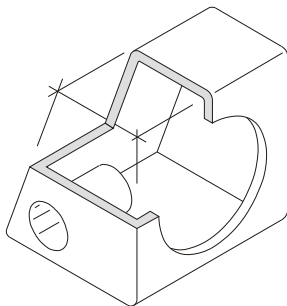
**REFLEX BOX (small)**  
 range: 42 ÷ 120 Hz  
 sensitivity: 95 dB @ 60 Hz  
 tube: Ø 94 x 200 mm  
 volume: 37 litres



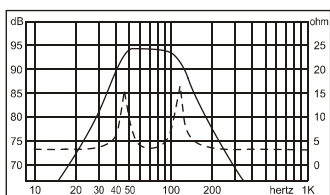
■ materiale fonoassorbente / *sound-absorbing material*



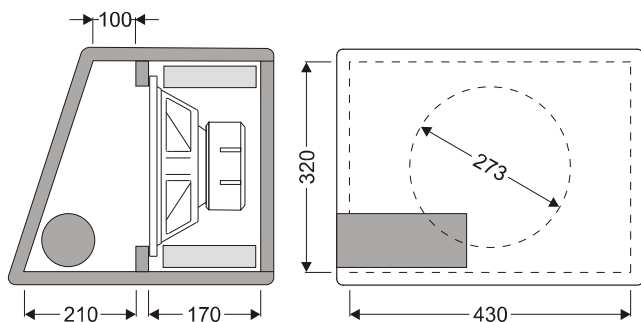
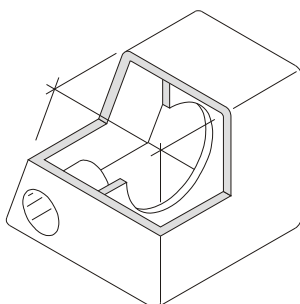
**REFLEX BOX (large)**  
 range: 35 ÷ 120 Hz  
 sensitivity: 94 dB @ 50 Hz  
 tube: Ø 94 x 180 mm  
 volume: 52 litres



■ materiale fonoassorbente / *sound-absorbing material*



**BAND-PASS BOX**  
 range: 42 ÷ 120 Hz  
 sensitivity: 94 dB @ 50 Hz  
 tube: Ø 119 x 180 mm  
 Vc/Vb volume: 23/21 litres



■ materiale fonoassorbente / *sound-absorbing material*