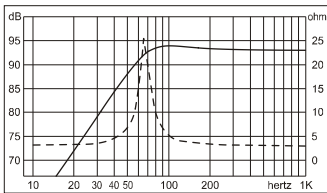
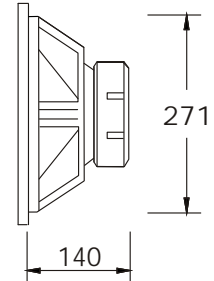
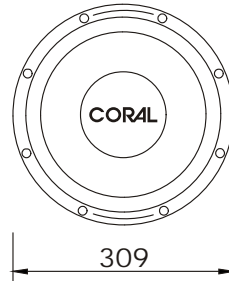
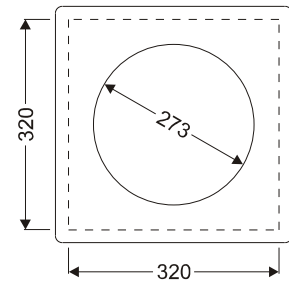
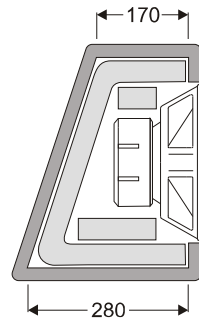
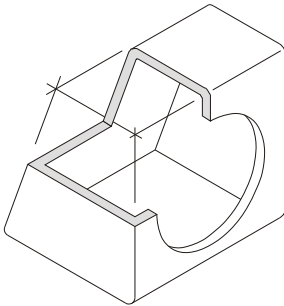


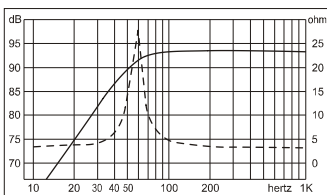
EVO 322 - suggested boxes (page 1 of 2)



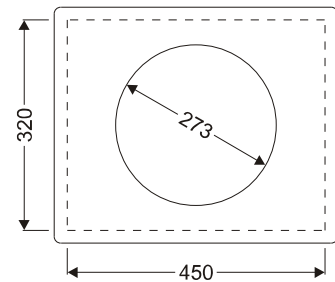
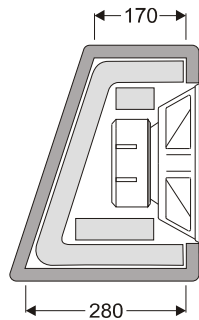
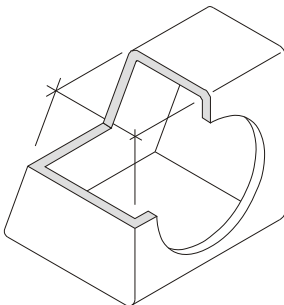
CLOSED BOX (small)
 range: 50 ÷ 120 Hz
 sensitivity: 90 dB @ 50 Hz
 volume: 22 litres



■ materiale fonoassorbente / *sound-absorbing material*

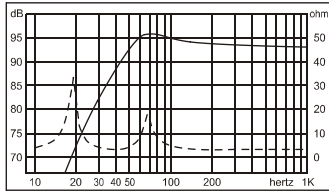


CLOSED BOX (large)
 range: 45 ÷ 120 Hz
 sensitivity: 90 dB @ 50 Hz
 volume: 32 litres



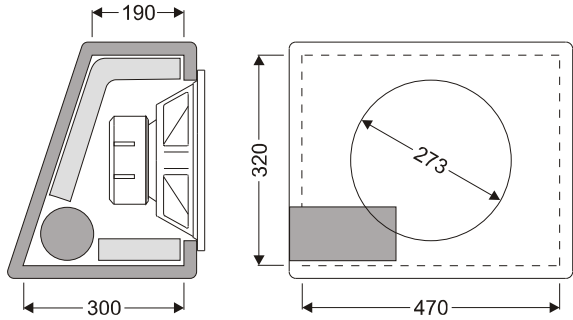
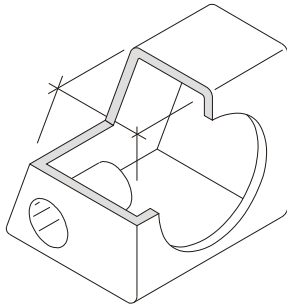
■ materiale fonoassorbente / *sound-absorbing material*

EVO 322 - suggested boxes (page 2 of 2)

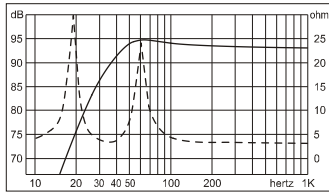


REFLEX BOX (small)

range: 42 ÷ 120 Hz
 sensitivity: 95 dB @ 60 Hz
 tube: Ø 94 x 200 mm
 volume: 37 litres

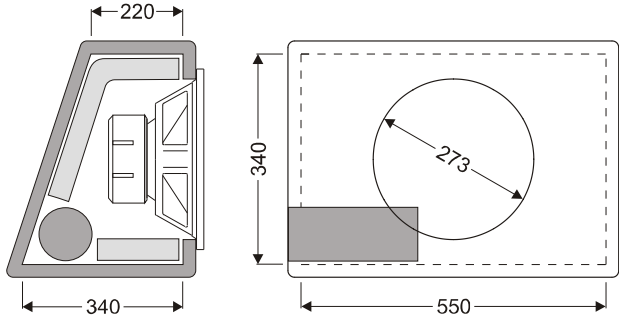
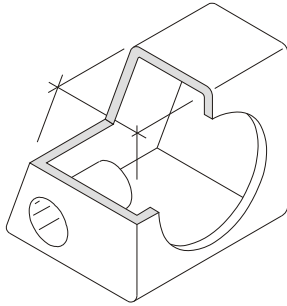


materiale fonoassorbente / *sound-absorbing material*

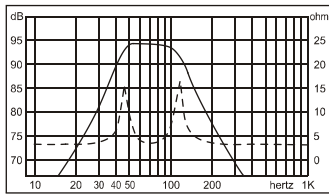


REFLEX BOX (large)

range: 35 ÷ 120 Hz
 sensitivity: 94 dB @ 50 Hz
 tube: Ø 94 x 180 mm
 volume: 52 litres

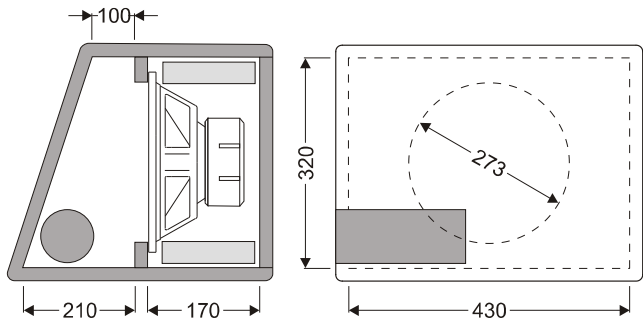
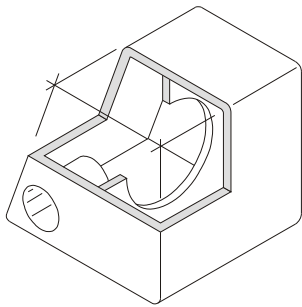


materiale fonoassorbente / *sound-absorbing material*



BAND-PASS BOX

range: 42 ÷ 120 Hz
 sensitivity: 94 dB @ 50 Hz
 tube: Ø 119 x 180 mm
 Vc/Vb volume: 23/21 litres



materiale fonoassorbente / *sound-absorbing material*