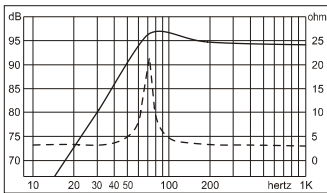
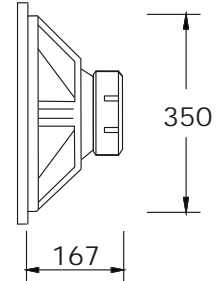
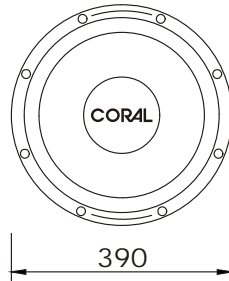
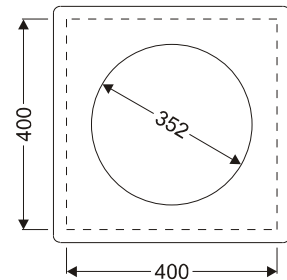
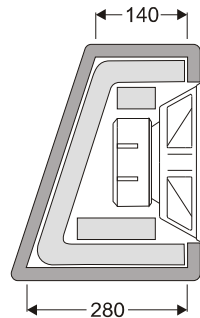
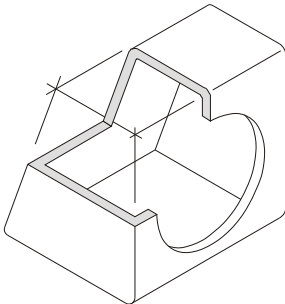


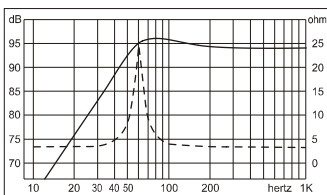
EVO 400 - suggested boxes (page 1 of 2)



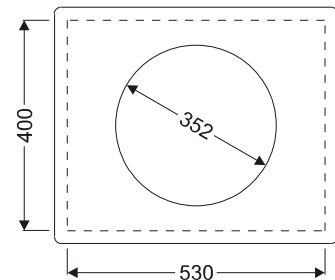
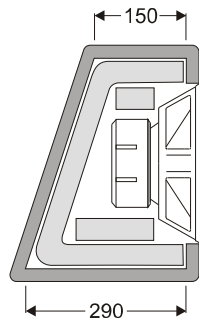
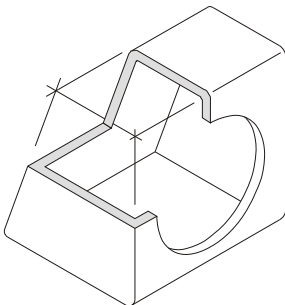
CLOSED BOX (small)
 range: 45 ÷ 120 Hz
 sensitivity: 95 dB @ 70 Hz
 volume: 32 litres



materiale fonoassorbente / *sound-absorbing material*

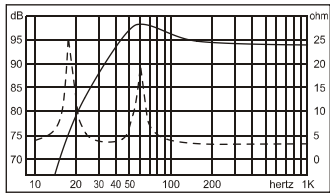


CLOSED BOX (large)
 range: 40 ÷ 120 Hz
 sensitivity: 95 dB @ 60 Hz
 volume: 47 litres

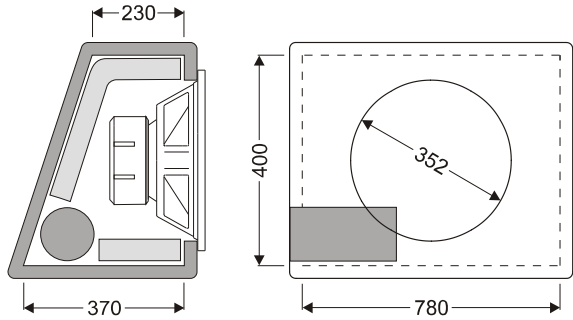
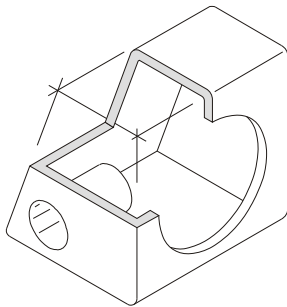


materiale fonoassorbente / *sound-absorbing material*

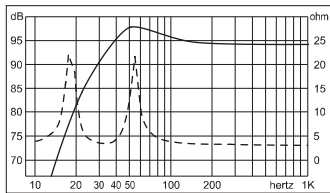
EVO 400 - suggested boxes (page 2 of 2)



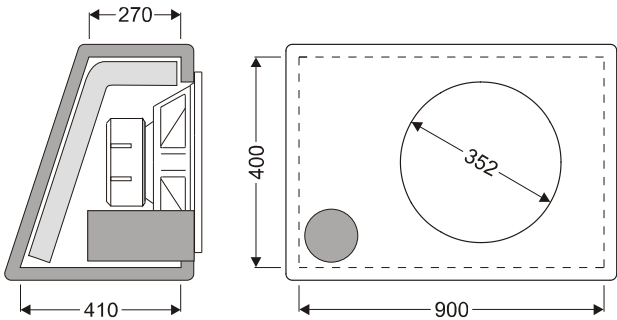
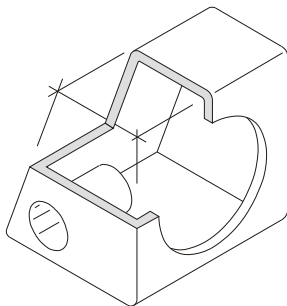
REFLEX BOX (small)
 range: 35 ÷ 120 Hz
 sensitivity: 97 dB @ 55 Hz
 tube: Ø 154 x 240 mm
 volume: 93 litres



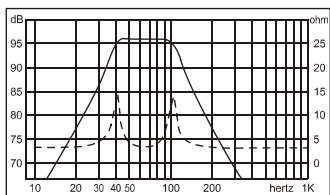
■ materiale fonoassorbente / *sound-absorbing material*



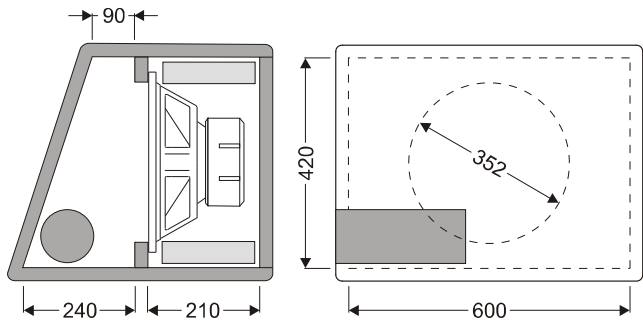
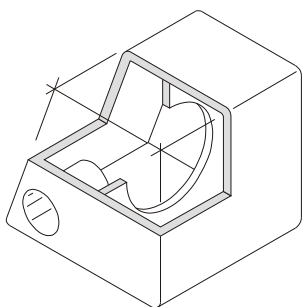
REFLEX BOX (large)
 range: 31 ÷ 120 Hz
 sensitivity: 97 dB @ 45 Hz
 tube: Ø 154 x 240 mm
 volume: 122 litres



■ materiale fonoassorbente / *sound-absorbing material*



BAND-PASS BOX
 range: 35 ÷ 120 Hz
 sensitivity: 96 dB @ 45 Hz
 tube: Ø 154 x 250 mm
 Vc/Vb volume: 53/42 litres



■ materiale fonoassorbente / *sound-absorbing material*