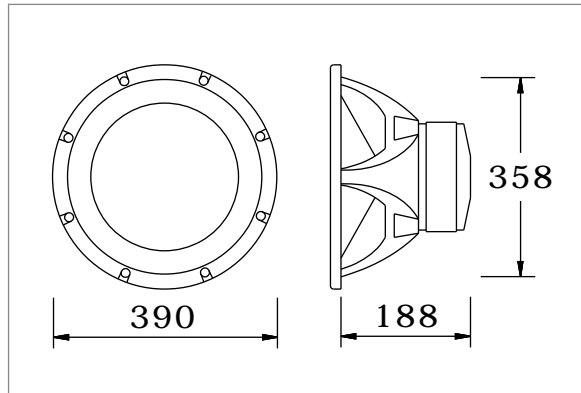


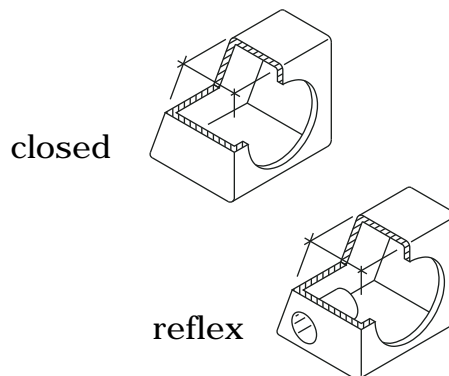
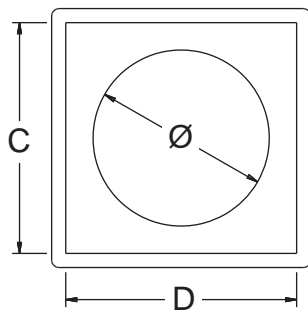
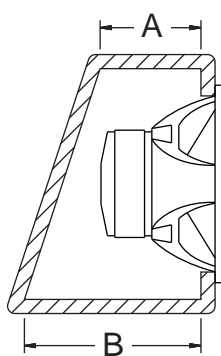
## TXS 15 - 390 mm subwoofer



### TECHNICAL DATA

nominal impedance (Zn)	4 ohm	mechanical Q factor (Qms)	3.45
nominal power (Pn)	500 watt	electrical Q factor (Qes)	1.08
max power (Pm)	1000 watt	total Q factor (Qts)	0.82
sensitivity (2.83 V/1 m)	93 dB	moving mass (Mms)	155.5 g
frequency range (BW)	25 ÷ 2000 Hz	compliance (Cms)	0.08 mm/N
resonance frequency (Fs)	44 Hz	equivalent volume (Vas)	71 litres
voice coil diameter	75 mm	force factor (BxL)	11.5 N/A
cone material	polypropylene	voice coil resistance (Re)	3.3 ohm
surround material	butyl rubber	voice coil inductance (Le)	0.5 mH
basket material	aluminium die cast	emission diameter (D)	314 mm
magnet material	ferrite	linear excursion (Xmax)	± 6 mm

### SUGGESTED BOXES



	A	B	C	D	Ø	reflex tube	Volume
	mm	mm	mm	mm	mm	mm	litres
closed box	200	350	420	540	360	-	62
reflex box	350	500	420	850	360	Ø 154/ L 80	152