

Thiele-Small Parameters

Qms	2.45	
Qes	0.83	
Qts	0.62	
Mms	13.71	g
Vas	9.61	l
Cms	0.38	mm/N
Xmax	4.00	mm
u0	0.38	%
Sd	134.78	cm ²
Bl	4.75	T*m
Rms	0.41	Kg/s

Electrical Characteristics

Nominal Impedance	4	Ohm ± 12%
Rated Power DIN 45573	80*	Watt
Rated Power DIN 45500	160	Watt
Resonance Frequency	70	Hz ± 6 Hz
Flux Density	9100	Gauss ± 7%
Voice Coil Resistance	2.9	Ohm ± 10%
Voice Coil Diameter	25.23	mm
Sensitivity (1w, 1m)	90.00	dB
Voice Coil Induc. (1KHz.)	0.266	mH



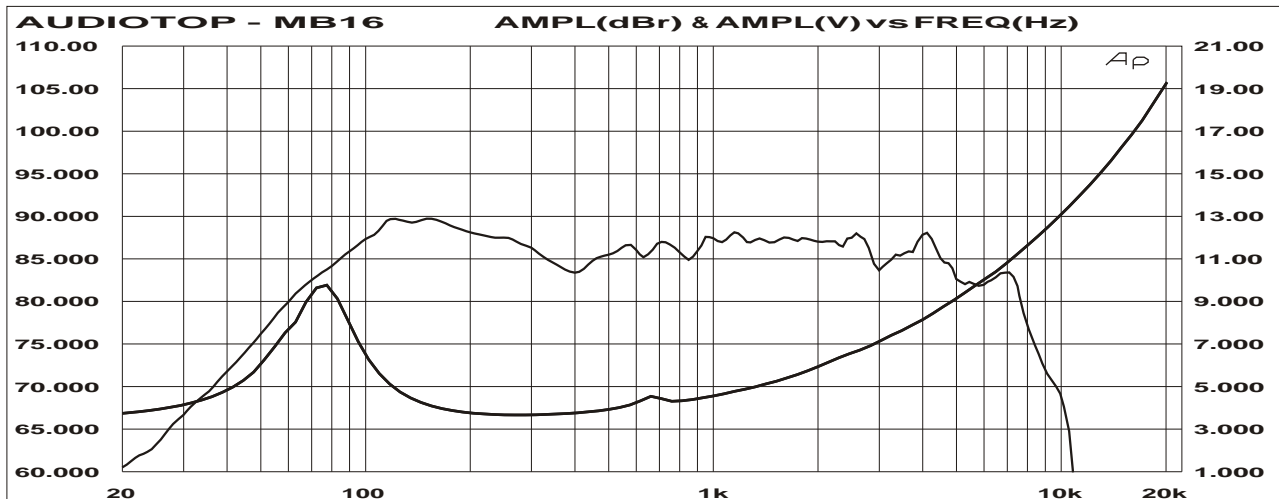
Measurement Conditions

Frequency Response: The Speaker is Mounted On a DIN 45575 Baffle.
Microphone Distance: 1m.

Measuring Power, Held Costantly, is 1 Watt Across a DC Resistance of Normal Imped.

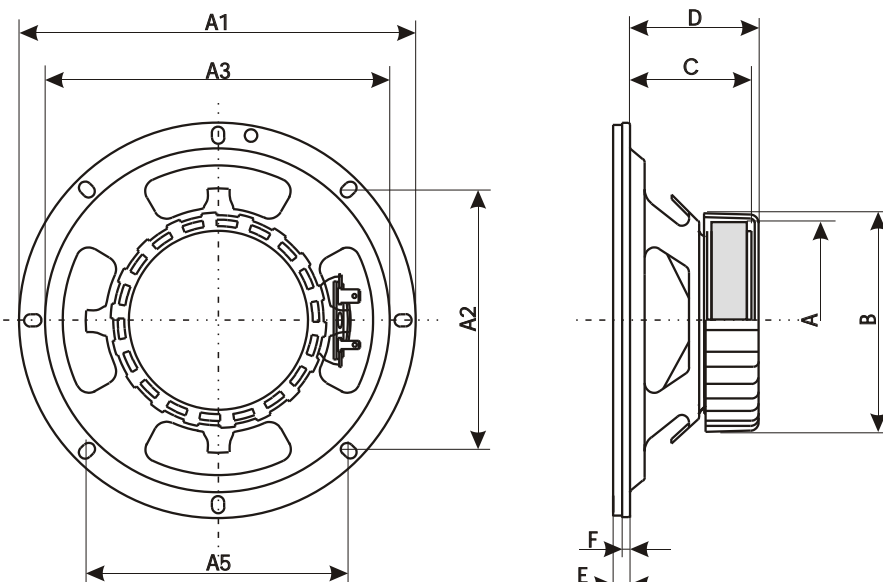
LOUDSPEAKER

*= Power specifications: Filtered by a 2° crossover network at 80 Hz



FREQUENCY RESPONSE AND IMPEDANCE :

NOTES: Black glass fiber cone, foam surround and aluminium voice coil former



A	→	86 mm.
A1	→	164 mm.
A2	→	109 mm.
A3	→	144 mm.
A4	→	--- mm.
A5	→	109 mm.
A6	→	--- mm.
B	→	95 mm.
C	→	64 mm.
D	→	67 mm.
E	→	8,5 mm.
F	→	4,5 mm.
G	→	--- mm.