

### Thiele-Small Parameters

Qms	4.00	
Qes	0.80	
Qts	0.67	
Mms	16.10	g
Vas	7.13	l
Cms	0.28	mm/N
Xmax	4.15	mm
u0	0.36	%
Sd	134.78	cm <sup>2</sup>
Bl	5.61	T*m
Rms	0.33	Kg/s

### Electrical Characteristics

Nominal Impedance	4	Ohm ± 12%
Rated Power DIN 45573	90*	Watt
Rated Power DIN 45500	180	Watt
Resonance Frequency	75	Hz ± 6 Hz
Flux Density	11000	Gauss ± 7%
Voice Coil Resistance	3.4	Ohm ± 10%
Voice Coil Diameter	36.00	mm
Sensitivity (1w, 1m)	89.00	dB
Voice Coil Induc. (1KHz.)	0.331	mH



### Measurement Conditions

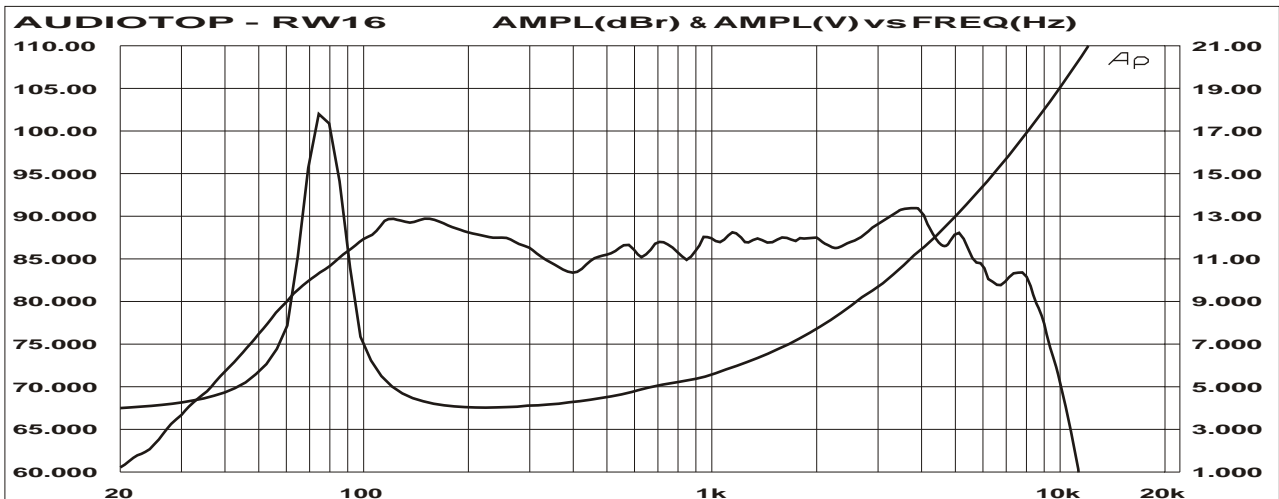
Frequency Response: The Speaker is Mounted On a DIN 45575 Baffle.

Microphone Distance: 1m.

Measuring Power, Held Costantly, is 1 Watt Across a DC Resistance of Normal Imped.

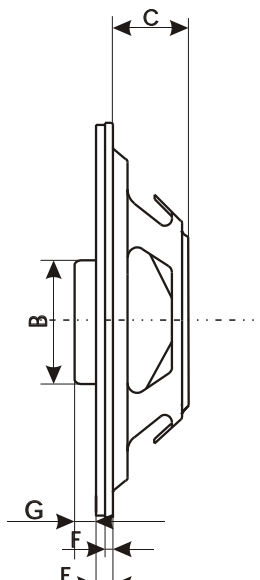
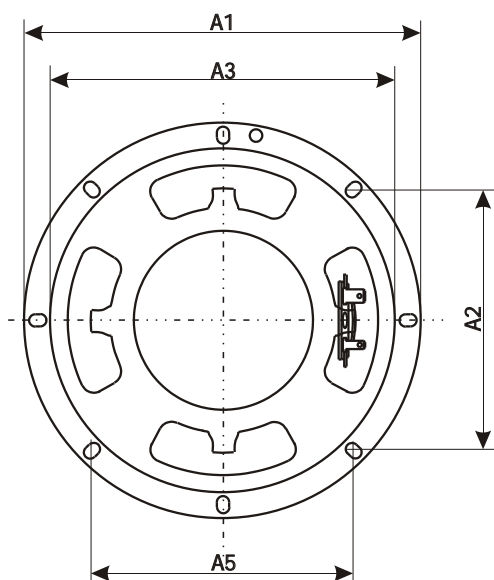
## LOUDSPEAKER

\*= Power specifications: Filtered by a 2° crossover network at 80 Hz



FREQUENCY RESPONSE AND IMPEDANCE :

NOTES: Black glass fiber cone, foam surround and aluminium voice coil former



- A → 86 mm.
- A1 → 164 mm.
- A2 → 109 mm.
- A3 → 144 mm.
- A4 → --- mm.
- A5 → 109 mm.
- A6 → --- mm.
- B → 52 mm.
- C → 45 mm.
- D → --- mm.
- E → 8,5 mm.
- F → 5 mm.
- G → 9 mm.