

Thiele-Small Parameters

Qms	4.15	
Qes	0.58	
Qts	0.51	
Mms	23.50	g
Vas	30.44	l
Cms	0.43	mm/N
Xmax	4.15	mm
u0	0.63	%
Sd	224.31	cm ²
Bl	6.65	T*m
Rms	0.56	Kg/s

Electrical Characteristics

Nominal Impedance	4	Ohm ± 12%
Rated Power DIN 45573	130*	Watt
Rated Power DIN 45500	260	Watt
Resonance Frequency	50	Hz ± 6 Hz
Flux Density	6700	Gauss ± 7%
Voice Coil Resistance	3.4	Ohm ± 10%
Voice Coil Diameter	39.00	mm
Sensitivity (1w, 1m)	91.00	dB
Voice Coil Induc. (1KHz.)	0.687	mH



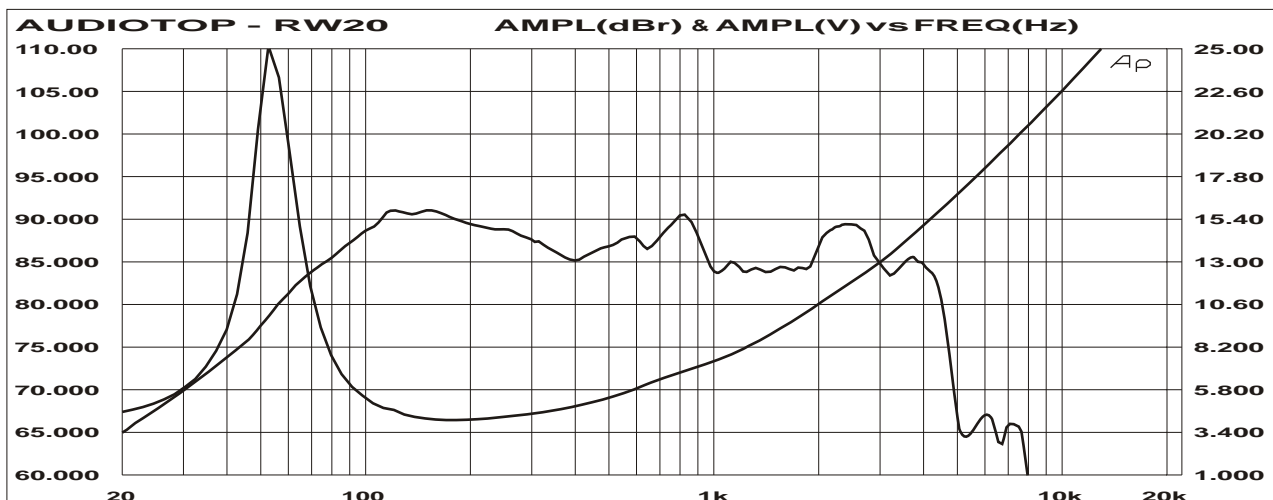
Measurement Conditions

Frequency Response: The Speaker is Mounted On a DIN 45575 Baffle.
Microphone Distance: 1m.

Measuring Power, Held Costantly, is 1 Watt Across a DC Resistance of Normal Imped.

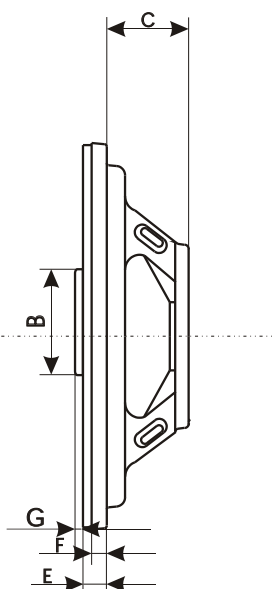
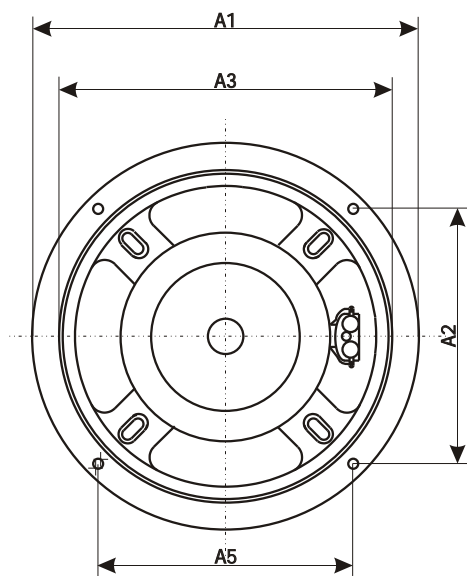
LOUDSPEAKER

*= Power specifications: Filtered by a 2° crossover network at 80 Hz



FREQUENCY RESPONSE AND IMPEDANCE :

NOTES: Black glass fiber cone, foam surround and aluminium voice coil former



- A → 119 mm.
- A1 → 209 mm.
- A2 → 139 mm.
- A3 → 182 mm.
- A4 → --- mm.
- A5 → 139 mm.
- A6 → --- mm.
- B → 57 mm.
- C → 58 mm.
- D → --- mm.
- E → 9,5 mm.
- F → 8 mm.
- G → 4 mm.