

### Thiele-Small Parameters

Qms	10.76	
Qes	1.03	
Qts	0.94	
Mms	16.10	g
Vas	6.26	l
Cms	0.25	mm/N
Xmax	4.15	mm
u0	0.30	%
Sd	134.78	cm <sup>2</sup>
Bl	5.28	T*m
Rms	1.33	Kg/s

### Electrical Characteristics

Nominal Impedance	4	Ohm ± 12%
Rated Power DIN 45573	120*	Watt
Rated Power DIN 45500	240	Watt
Resonance Frequency	80	Hz ± 6 Hz
Flux Density	10900	Gauss ± 7%
Voice Coil Resistance	3.4	Ohm ± 10%
Voice Coil Diameter	36	mm
Sensitivity (1w, 1m)	87.00	dB
Voice Coil Induc. (1KHz.)	0.414	mH



### Measurement Conditions

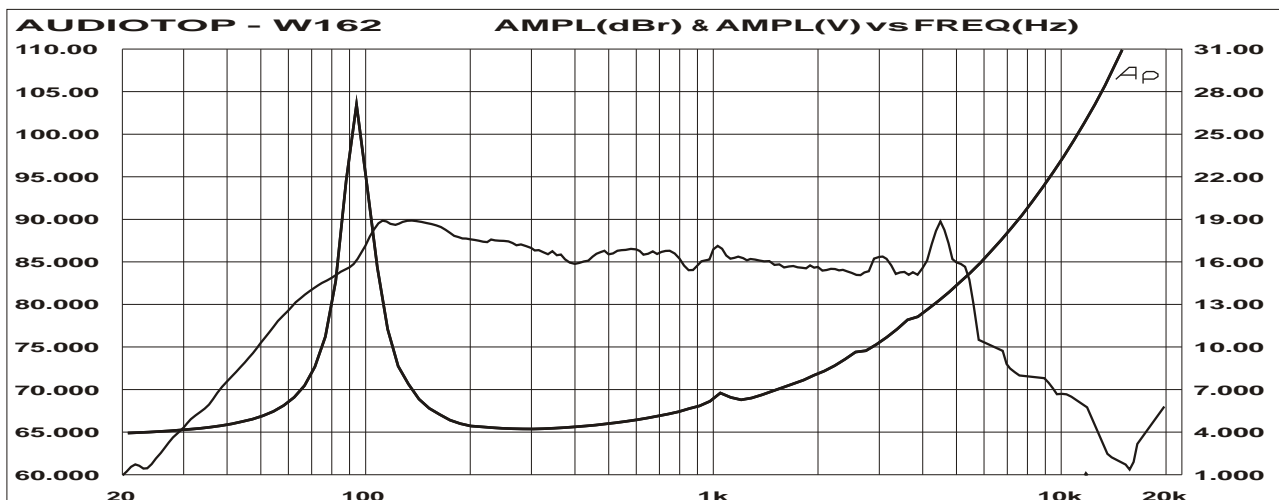
Frequency Response: The Speaker is Mounted On a DIN 45575 Baffle.

Microphone Distance: 1m.

Measuring Power, Held Costantly, is 1 Watt Across a DC Resistance of Normal Imped.

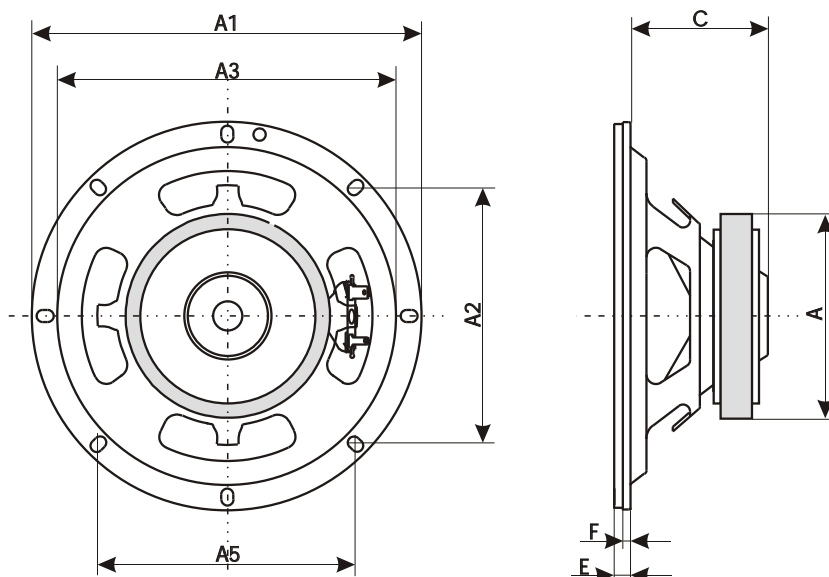
## LOUDSPEAKER

\*= Power specifications: Nominal power mounted on a 10 liters closed box



### FREQUENCY RESPONSE AND IMPEDANCE :

NOTES: Black glass fiber cone, rubber surround, nomex voice coil former and aluminium ogiva on the core



A	→	102 mm.
A1	→	164 mm.
A2	→	109 mm.
A3	→	144 mm.
A4	→	--- mm.
A5	→	109 mm.
A6	→	--- mm.
B	→	--- mm.
C	→	73 mm.
D	→	--- mm.
E	→	8,5 mm.
F	→	4,5 mm.
G	→	--- mm.