

Thiele-Small Parameters

Qms	5.80	
Qes	0.28	
Qts	0.27	
Mms	210.00	g
Vas	24.00	l
Cms	0.14	mm/N
Xmax	15.00	mm
u0	0.00	%
Sd	314.00	cm ²
Bl	21.80	T*m
Rms	0.00	Kg/s

Electrical Characteristics

Nominal Impedance	4	Ohm ± 12%
Rated Power DIN 45573	700	Watt RMS
Rated Power DIN 45500	1400	Watt Max
Resonance Frequency	29	Hz ± 3 Hz
Flux Density	0000	Gauss ± 7%
Voice Coil Resistance	3.5	Ohm ± 10%
Voice Coil Diameter	75.5	mm
Sensitivity (1w, 1m)	89.00	dB
Voice Coil Induc. (1KHz.)	5.1	mH



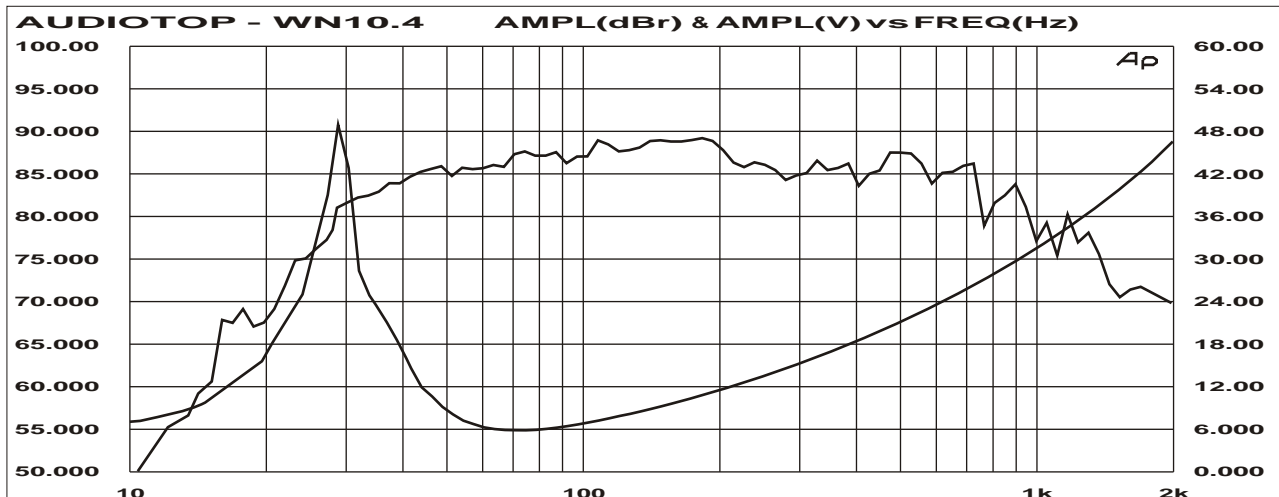
Measurement Conditions

Frequency Response: The Speaker is Mounted On a DIN 45575 Baffle.

Microphone Distance: 1m.

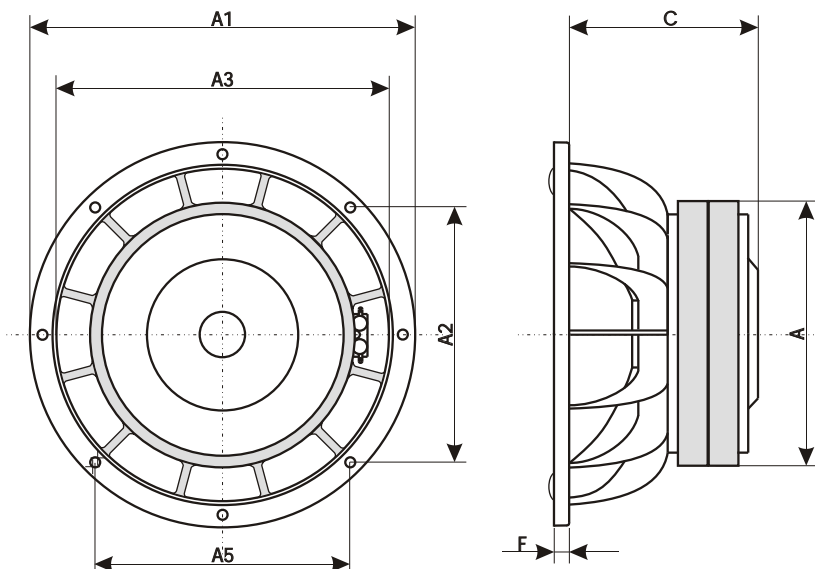
Measuring Power, Held Costantly, is 1 Watt Across a DC Resistance of Normal Imped.

LOUDSPEAKER



FREQUENCY RESPONSE AND IMPEDANCE :

NOTES: Coated paper cone, foam surround, double spider and aluminium voice coil former



- A → 180 mm.
- A1 → 274 mm.
- A2 → 182 mm.
- A3 → 236 mm.
- A4 → --- mm.
- A5 → 182 mm.
- A6 → --- mm.
- B → --- mm.
- C → 150 mm.
- D → --- mm.
- E → --- mm.
- F → --- mm.
- G → --- mm.