

Thiele-Small Parameters

Qms	7.30	
Qes	0.30	
Qts	0.29	
Mms	186.00	g
Vas	420.00	l
Cms	0.12	mm/N
Xmax	20.00	mm
u0	0.00	%
Sd	804.00	cm ²
Bl	26.30	T*m
Rms	0.00	Kg/s

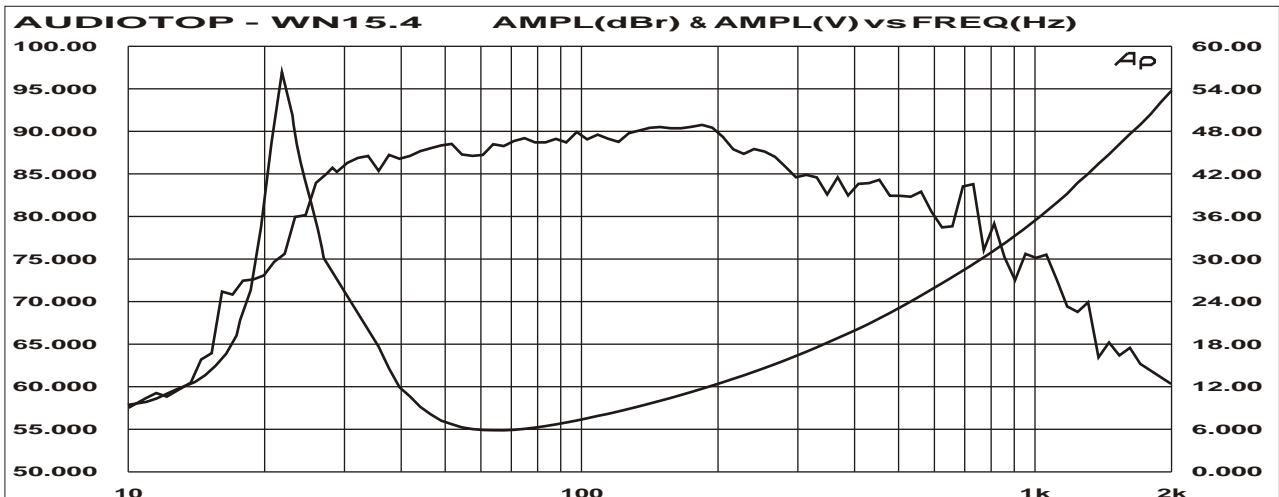
Electrical Characteristics

Nominal Impedance	4	Ohm ± 12%
Rated Power DIN 45573	1100	Watt RMS
Rated Power DIN 45500	2200	Watt Max
Resonance Frequency	22	Hz ± 3 Hz
Flux Density	0000	Gauss ± 7%
Voice Coil Resistance	3.5	Ohm ± 10%
Voice Coil Diameter	99.2	mm
Sensitivity (1w, 1m)	91.00	dB
Voice Coil Induc. (1KHz.)	5.9	mH



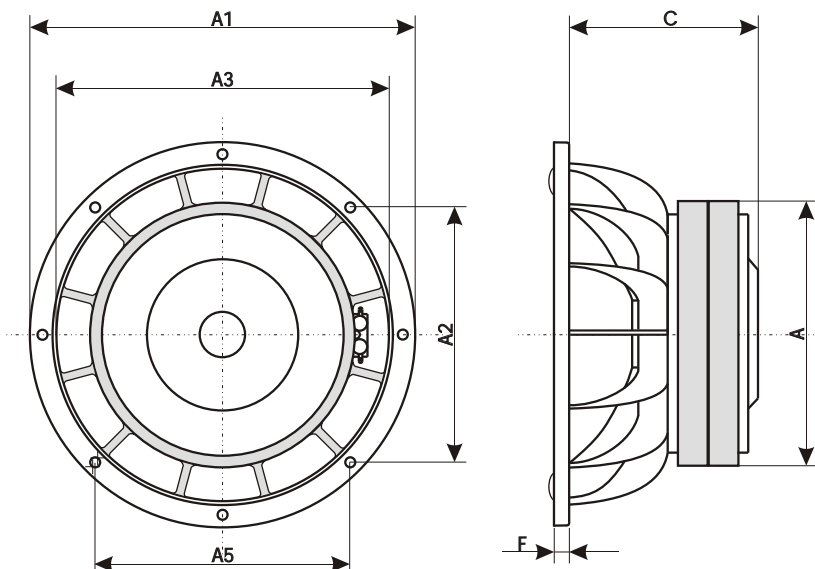
LOUDSPEAKER

Frequency Response: The Speaker is Mounted On a DIN 45575 Baffle.
 Microphone Distance: 1m.
 Measuring Power, Held Costantly, is 1 Watt Across a DC Resistance of Normal Imped.



FREQUENCY RESPONSE AND IMPEDANCE :

NOTES: Coated paper cone, foam surround, double spider and aluminium voice coil former



- A → 220 mm.
- A1 → 392 mm.
- A2 → 265 mm.
- A3 → 353 mm.
- A4 → --- mm.
- A5 → 265 mm.
- A6 → --- mm.
- B → --- mm.
- C → 193 mm.
- D → --- mm.
- E → --- mm.
- F → 9,5 mm.
- G → --- mm.