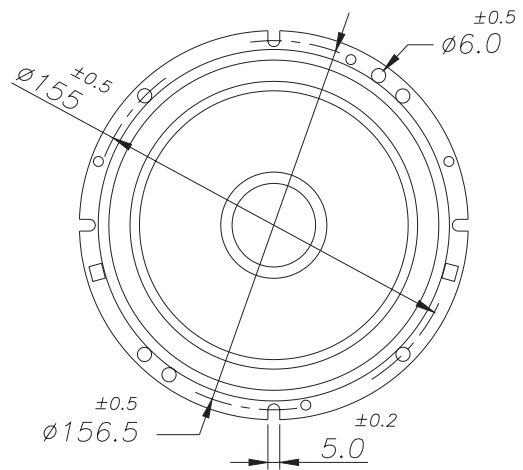
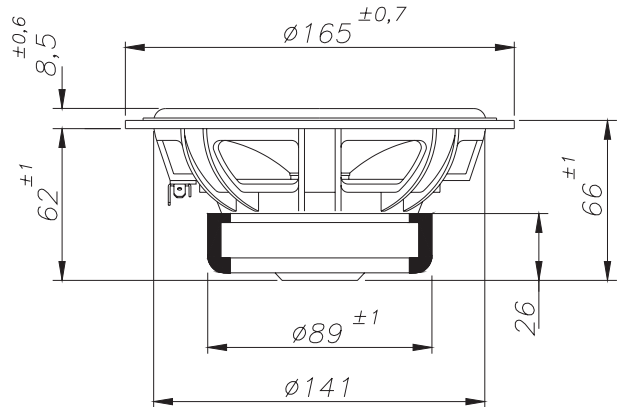
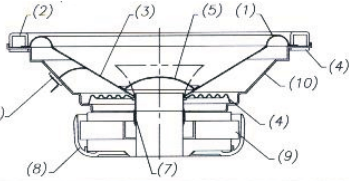


MID-WOOFER

SPL 6P

- 1 Surround TPV material
- 2 Gasket not present
- 3 Cone Paper
- 4 Spider COTTON material
- 5 Dust Cap PP injected
- 6 Terminal 6,3x4,8mm
- 7 Voice coil 26x9,0 mm. 2 layers Aluminum
- 8 Magnet system 4,8 mm. gap height
- 9 Magnet 81x32x12
- 10 Basket frame Nylon (injected) material



Frequency range	60-10000 Hz
Equivalent volume, Vas	8 L
Compliance, Cms	0,310 mm/N
Mechanical resistance, Rms	0,52 Ns/m
Effektive diaphragm/cone area, Sd	132 cm ²
Voice coil diameter	26 mm
Voice coil height	9,0 mm
Air gap height	4,8 mm
Linear excursion, Xmax	± 2 mm
Max mechanical excursion	± 4 mm
Nominal impedance	4 ohm
Voice coil resistance	3,4 ohm
Voice coil inductance	0,42 mH
Free air resonance, Fs	80 Hz
Sensitivity, Spl (1w/1m)	88 dB
Force factor, Bxl	4,9 Tm
Moving mass, Md	12,8 g
Qms	3,75
Qes	0,95
Qts	0,76
Nominal power	80 W
Short term max power	160 W
Magnet weight	259g
Total weight of driver	840 g

SPL vs Freq

