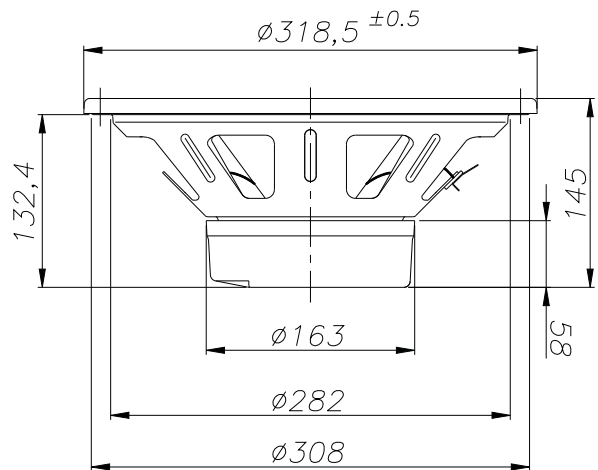
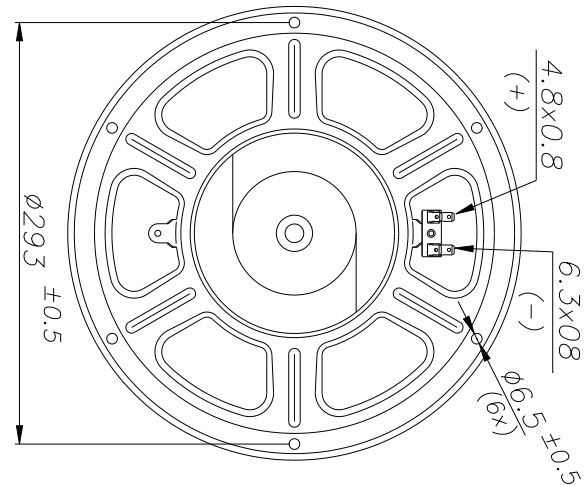
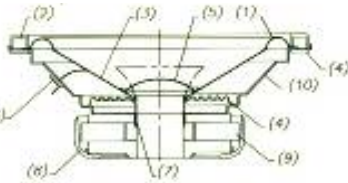


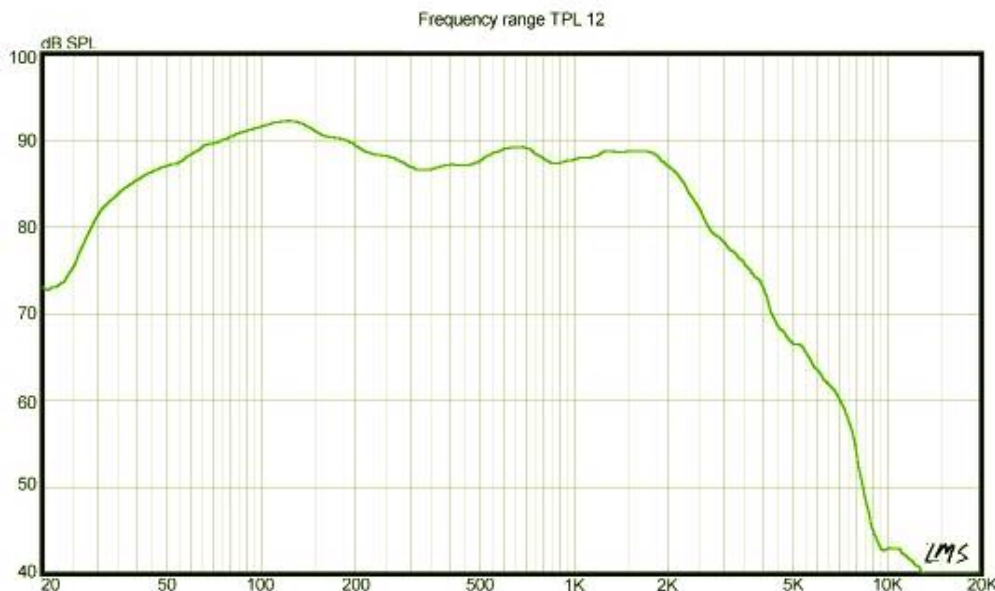
# SUB WOOFER

# TPL 12

- 1 Surround TPR material
- 2 Gasket ABS injected
- 3 Cone PP injected
- 4 Spider CLOTH material
- 5 Dust Cap not present
- 6 Terminal 4,8x6,3 mm
- 7 Voice coil 50x15,6 mm. 4 layers Kapton former
- 8 Magnet system vented 8,0 mm. gap height
- 9 Magnet 147x63x18 mm.
- 10 Basket frame Steel material



Frequency range	32 - 2000 Hz
Equivalent volume, Vas	95 L
Compliance, Cms	0,210 mm/N
Mechanical resistance, Rms	2,06 Ns/m
Effektive diaphragm/cone area, Sd	551 cm <sup>2</sup>
Voice coil diameter	56 mm
Voice coil height	15,6 mm
Air gap height	8 mm
Linear excursion, Xmax	± 4 mm
Max mechanical excursion	± 8 mm
Nominal impedance	4 ohm
Voice coil resistance	3,9 ohm
Voice coil inductance	2,12 mH
Free air resonance, Fs	32Hz
Sensitivity, Spl (1W,1m)/(2.83V/1m)	87/90 dB
Force factor, Bxl	14,0 Tm
Moving mass, Md	120 g
Qms	11,50
Qes	0,46
Qts	0,44
Nominal power	160 W
Short term max power	320 W
Magnet weight	1247g
Total weight of driver	4100 g



## SUB WOOFER SERIE TPL

### Sospensione pneumatica TPL 8

Vol [lt] volume netto	Qtc fattore di merito totale	F3 [Hz] frequenza a -3dB	A [mm]	B [mm]	C [mm]	D [mm]
10.8	0.50	44	270	320	260	210

Misure esterne al mobile di spessore 19 mm.  
Disporre materiale fonoassorbente alle pareti.

### Sospensione pneumatica TPL 10

Vol [lt] volume netto	Qtc fattore di merito totale	F3 [Hz] frequenza a -3dB	A [mm]	B [mm]	C [mm]	D [mm]
28.5	0.50	37	320	380	420	250

Misure esterne al mobile di spessore 19 mm.  
Disporre materiale fonoassorbente alle pareti.

### Sospensione pneumatica TPL 12

Vol [lt] volume netto	Qtc fattore di merito totale	F3 [Hz] frequenza a -3dB	A [mm]	B [mm]	C [mm]	D [mm]
46.3	0.50	33	340	460	470	350

Misure esterne al mobile di spessore 19 mm.  
Disporre materiale fonoassorbente alle pareti.

